

# TC-NC552S

## 5MP Starlight Vandalproof Mini IR Dome Camera

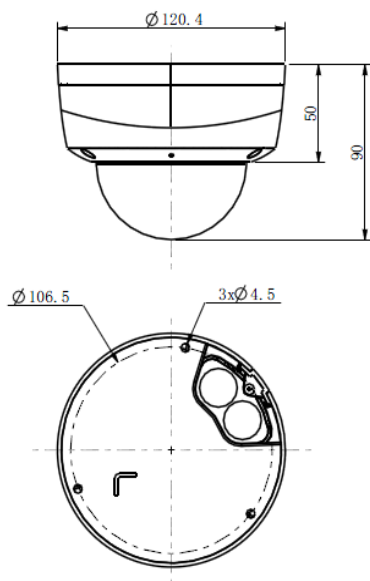
# Tiandy



### Features

- Starlight Ultra Low Light 0.002lux
- Up To 5MP, 2592x1944
- Cable Free Design
- S+265 Compression
- IE,Chrome,Firefox, Safari, Plug-in Free
- Mechanical WDR 120dB
- Smart IR, IR Range: 20m
- VCA Tripwire/Double Tripwire/Perimeter/Object Abandon/Object Lost/Running/Loitering/Parking/Crowd/Audio Abnormal Detection/Video Abnormal Detection"
- Interface Built-in Mic,Audio I/O 1/0, microSD Card Slot, up to 128GB, Reset Button
- TVS 6000V, Lightning/Surge Protection: (Power 2000V, RJ45 1000V), IP66, IK10
- Operating Conditions -35℃ ~ 60℃ (IR OFF) /-35℃ ~ 40℃ (IR ON), 0 ~ 95% RHG
- Case Material Metal
- CE, FCC

### Dimensions



| Camera                |   |
|-----------------------|---|
| Image Sensor          | 1/2.8" CMOS   |
| Core Processor        | ARM7 Architecture   |
| Operating System      | Embedded Linux  |
| Signal System         | PAL/NTSC  |
| Min. Illumination     | Color: 0.002Lux(F1.6,AGC ON)<br>B/W: 0.001Lux(F1.6,AGC ON); 0Lux with IR  |
| Shutter Time          | 1s ~ 1/100000s  |
| Lens                  | 2.8mm, Angle of View: 101°  |
| Lens Mount            | M12   |
| Auto Iris             | N/A   |
| Day& Night            | Dual IR Cut Filter with Auto Switch   |
| WDR                   | 120 dB  |
| DNR                   | 3D DNR  |
| S/N Ratio             | >60dB   |
| Compression Standard  |   |
| Video Compression     | S+265/H.265/H.264H/H.264M/H.264B/MJPEG  |
| Video Bit Rate        | 32Kbps~16Mbps   |
| Audio Compression     | G.711A/G.711U/ADPCM/AAC_LC  |
| Audio Bit Rate        | G711 8KHz, 64kbps<br>ADPCM 8KHz, 32kbps<br>AAC 48KHz, 96-320kbps  |
| Image                 |   |
| Max. Image Resolution | 2592x1944   |
| Frame Rate            | PAL: 2592*1944@18fps, 2560*1920@20fps, 2592*1520@25fps, 1440P@25fps, QXGA@25fps, 1080P@25fps, 960P@25fps, 720P@25fps, 640*360@25fps, 4CIF@25fps, 2CIF@25fps, CIF@25fps<br>NTSC: 2592*1944@18fps, 2560*1920@20fps, 2592*1520@25fps, 1440P@25fps, QXGA@30fps, 1080P@30fps, 960P@30fps, 720P@30fps, 640*360@30fps, 4CIF@30fps, 2CIF@30fps, CIF@30fps |
| Triple Stream         | Mainstream:2592x1944<br>Substream:D1(704x576)<br>3rd stream:CIF(352x288)  |
| Image Settings        | Brightness, Saturation, Contrast, Sharpness, Image Enhancement<br>Flip Mode Adjustable by Client Software or Web Browser  |
| HLC                   | Y   |
| Smart Defog           | Y   |
| Corridor Format       | Y, Available for 720P and Above   |
| EIS                   | Y   |
| ROI                   | 4 Zones   |
| Privacy Mask          | 4 Zones   |
| Picture Overlay       | 200 × 200, BMP 24bit, Zone Configurable   |
| OSD                   | Size:16×16, 32×32, 24×24, 48×48, 64×64, 96×96<br>Letters, Week, Date, Time, Total 5 Regions   |
| Network               |   |
| Browser               | IE,Chrome,Firefox, Safari, Plug-in Free   |
| Network Storage       | FTP   |
| NTP                   | Y   |
| ANR                   | Y(Auto store video in SD card when NVR disconnected, and upload video to NVR when resumed connection(Only Support Tiandy ANR NVR) )   |
| Video Analytics(VCA)  | Tripwire/Double Tripwire/Perimeter/Object Abandon<br>Object Lost/Running/Loitering/Parking/Crowd<br>Audio Abnormal Detection/Video Abnormal Detection   |
| Alarm Trigger         | Motion Detection/IP Conflict/MAC Conflict/Port Alarm/Mask Alarm   |
| Protocols             | IPV4/IPV6/HTTP/FTP/SMTP/UPnP/SNMP<br>DNS/DDNS/NTP/RTSP/TCP/UDP/DHCP   |
| User Permission       | 4 Level/8 Users   |
| Remote Connection     | 7 Users Access at the Same Time   |
| System Compatibility  | ONVIF (Profile S),P2P, SDK, CGI   |
| Interface             |   |
| Audio Input           | 1-ch, Mic in  |
| Audio Output          | N/A   |
| Ethernet              | 1-ch RJ45 10M / 100M  |
| Alarm Input           | N/A   |
| Alarm Output          | N/A   |
| Video Output          | N/A   |
| On-board Storage      | MicroSD Card Slot, up to 128GB  |
| Reset                 | Y   |
| General               |   |
| Language              | English,Spanish,Korean,Italian,Turkish,Thai,Russian<br>Polish,French,Traditional Chinese,Simplified Chinese   |
| Operating Conditions  | -35℃ ~ 60℃ (IR OFF) /-35℃ ~ 40℃ (IR ON), 0 ~ 95% RHG  |
| Power Supply          | DC 12 V ± 10%, PoE (802.3af)  |
| Power Consumption     | Max. 5W(IR OFF) (ICR Instant Switch 10W)<br>Max. 7W(IR ON)  |
| Circuit Protection    | TVS 6000V, Lightning/Surge Protection: (Power 2000V, RJ45 1000V)  |
| Impact Protection     | IP66, IK10  |
| IR Range              | 20m   |
| IR LEDs               | 8pcs Array  |
| Dimensions            | 120mm×120mm×90mm  |
| Weight                | 0.7KG (IP Camera Only); 0.9KG (with Packing Box)  |

\* The latest product information / specification can be found at <http://en.tiandy.com/>



Tiandy Technologies Co., Ltd | [en.tiandy.com](http://en.tiandy.com)

Add: No.8, Huake Rd2, Binhai Hi-Tech Industry(Huayuan), Tianjin 300384 China

Tel: +86-22-58596037 Email: [sales@tiandy.com](mailto:sales@tiandy.com)

