

TC-C35BQ Spec:I5W/E/4mm

5MP Starlight IR Bullet Camera

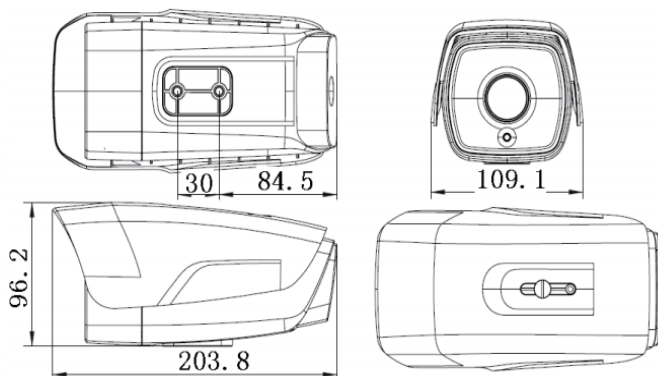
Tiandy



Features

- Starlight Ultra Low Light 0.002lux
- Up To 5MP, 2592*1944@18fps,2560*1920@20fps
- S+265、H.265/H.264 HP/MP/BP/M-JPEG Codec
- Support perimeter alert and tripwire alert, Person-vehicle separation
- VCA Tripwire/Double Tripwire/Perimeter/Object Abandon/Object Lost/Running/Loitering/Parking/Early Warning/Crowd/People counting/Face detection/Audio Abnormal Detection/Video Abnormal Detection
- Support P2P ,the APP support setting up alert, alert plan and line drawing, uploading customized alert sounds
- Mechanical WDR 120dB
- NIR, WDR, 3D DNR, HLC, Dual-ICR, AWB, AGC
- Interface Built-in Speaker&mic,Audio in/out 1/1,Alarm in/out 1/0, MicroSD Card Slot, up to 128GB, USB Storage up to 128GB ,Reset Button
- TVS 6000V, Lightning/Surge Protection: (Power 2000V, RJ45 1000V), IP67
- Operating Conditions -35 C ~ 65 C, 0~95% RHG
- CE, FCC

Dimensions



Dimensions(Optional) Model: TC-712S3E



Camera	
Image Sensor	1/2.8" CMOS
Signal System	PAL/NTSC
Min. Illumination	Color: 0.002 Lux @(F1.6, AGC ON)
Shutter Time	1s to 1/100,000s
Lens	4mm, Angle of View: 96.3°
Lens Mount	M12
Day& Night	IR Cut Filter with Auto Switch
Wide Dynamic Range	120 dB
Digital Noise Reduction	3D DNR
Compression Standard	
Video Compression	S+265/H.265/H.264H/H.264M/H.264B/M/JPEG
Video Bit Rate	32Kbps~16Mbps
Audio Compression	G.711A/G.711U/ADPCM/AAC
Audio Bit Rate	8K~48Kbps
Image	
Max. Image Resolution	5MP
Frame Rate	50Hz: 2592*1944@18fps, 2560*1920@20fps, 2592*1520@25fps, 1440P@25fps, QXGA@25fps, 1080P@25fps, 960P@25fps, 720P@25fps, 4CIF@25fps, 640*360@25fps, VGA@25fps, 2CIF@25fps, CIF@25fps 60Hz: 2592*1944@18fps, 2560*1920@20fps, 2592*1520@25fps, 1440P@25fps, QXGA@30fps, 1080P@30fps, 960P@30fps, 720P@30fps, 4CIF@30fps, 640*360@30fps, VGA@30fps, 2CIF@30fps, CIF@30fps
Mainstream	5MP(2592*1944)
Substream	4CIF (704*576)
3rd Stream	4CIF (704*576)
Image Settings	Brightness, Saturation, Contrast, Flip Mode Adjustable by Client Software or Web Browser
HLC	Y
Smart Defog	Y
Corridor Format	Y
ROI	Y
Privacy Mask	Y
Picture Overlay	Y
OSD	16*16, 32*32, 24*24, 48*48, 64*64, 96*96 Size Letters Such as Week, Date, Time, Total 5 Regions
Network	
Network Storage	FTP
NTP	Y
ANR	Y
Video Analytics	Tripwire/Double Tripwire/Perimeter/Object Abandon/Object Lost/Running/Loitering/Parking/Early Warning/Crowd/People counting/Face detection/Audio Abnormal Detection/Video Abnormal Detection
EW	Y
Alarm Trigger	Motion Detection/IP Conflict/MAC Conflict/Mask Alarm
Protocols	HTTP,FTP,SMTP,UPnP,SNMP,DNS,DDNS,NTP,RTSP,TCP,UDP,DHCP,PPPoE
Remote Connection	≤7
System Compatibility	ONVIF (Profile S), P2P,SDK, CGI
Interface	
Audio Input	1-ch,Built-in Mic
Audio Output	1-ch,Built-in Speaker
Communication Interface	1-ch RJ45 10M / 100M Ethernet Interface
Alarm Input	1-ch
Alarm Output	N/A
Video Output	N/A
On-board Storage	MicroSD Card Slot, up to 128GB
Extension	Reset, USB,RS485
General	
Language	English,Simplified Chinese,Traditional Chinese,Spanish, Italian, Korean, Turkish, Russian, Thai, polish, French
Operating Conditions	-35℃~60℃, 0~95% RHG
Power Supply	DC 12 V ± 25%, POE
Power Consumption	Max. 18W
IR Light	2
IR Distance	50m
White Light	2
Impact Protection	IP67
Dimensions	203mm*96.2mm x 109.1mm
Weight	0.75KG (Camera Only); 1.1KG (with Packing Box)

* The latest product information / specification can be found at <http://en.tiandy.com/>



Tiandy Technologies Co., Ltd | en.tiandy.com
 Add: No.8, Huake Rd2, Binhai Hi-Tech Industry(Huayuan), Tianjin 300384 China
 Tel: +86-22-58596037 Email: sales@tiandy.com

